

6.5" Robust & IP65 Industrial Monitor for Rack, Panel, Wall or Arm Mount

- Aluminium front panel meet IP65 standard
- Analog VGA input interface
- Robust steel chassis for shocking and vibration requirement
- High brightness
- Long lifetime panel 50000 hrs MTBF
- Resolution 640 x 480
- Advanced thermal and air flow design
- 12 V DC power input
- Optional: RS-232 interface touch screen
- Operation temperature 0 ~ +50°
- Panel mount, rack mount, wall mount or arm mount

Power adapter: 25WAC
 Mounting: wall, panel, rack, arm
 Dimension: 183 x 143 x 41mm
 Panelcut: 177 x 137mm

Operation temperature: 0°C ~ +50°C
 Relative humidity: 5 ~ 95% non condensing
 Vibration: 5 ~ 17 Hz, 0.1" double amplitude displacement, 17 ~ 640 Hz, 1.5G acceleration peak to peak
 Shock: 10G acceleration peak to peak (11ms)
 Net weight: 1kg

TOUCH SCREEN (optional):
 Type: Analog resistive
 Resolution: 4096 x 4096 dpi (based on controller resolution)
 Position accuracy: less than 1.5%
 Electrostatic protection: 30kV (contact/air) Controller: 20kV



Description:

The 6.5" TFT LCD monitor has a aluminium front panel meet IP65 standard for tough environment. The Display support analog VGA. The robust steel chassis protects against shock and vibration. Optionally are a touch screen possible. Fully mounting ways supports rack mount, panel mount, wall mount or arm mount.

Specification:

Panel type: VGA TFT LCD
 LCD size: 6.5"
 Max. resolution: 640 x 480
 Brightness: 400 / 500 cd/m²
 Contrast ratio: 500:1
 LCD color: 262K
 Pixel pitch: 0.207mm
 View angel (H/V): 140/120
 Input: Analog VGA
 LCD MTBF: 50.000 hrs
 Backlight MTBF: 30.000hrs
 OSD: menu
 Front panel: aluminium meet IP65
 Chassis: heavy-duty steel

Order information:

DM-65-GS

6.5" LCD monitor, IP65
 400 cd/m²

DM-65-GS/T-R

with touch screen

DM-65-HS

6.5" LCD monitor, IP65
 500 cd/m²

DM-65-HS/T-R

with touch screen

ACCESSORY:

WK-065MS

wall mounting kit

RK-065MS

rack mounting kit

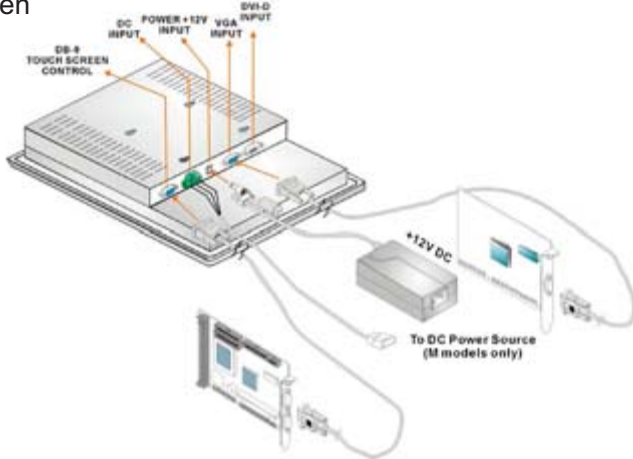
ARM-11

monitor arm up to 6 kg

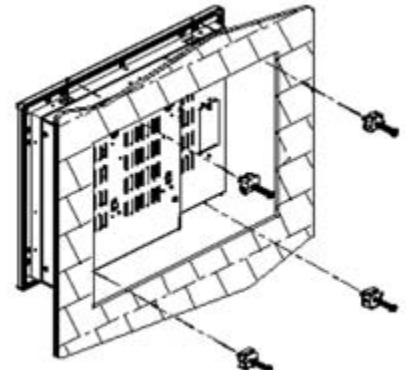
STAND-100

monitor stand

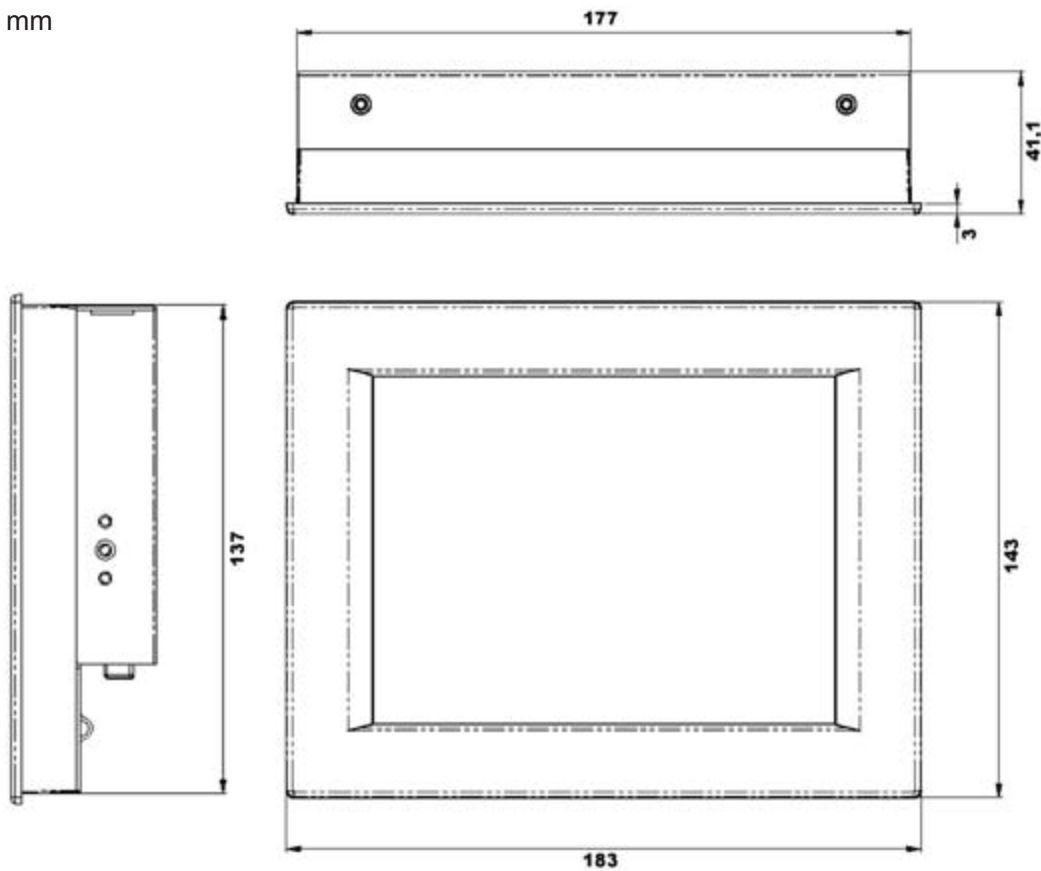
Touchscreen



Panel mounting kit (including)
Panelcut: 177 x 137mm



Dimension in mm



Monitor arm: ARM-11

Monitor stand: STAND-100-RS

Rack mounting: RK-065MS-R10

